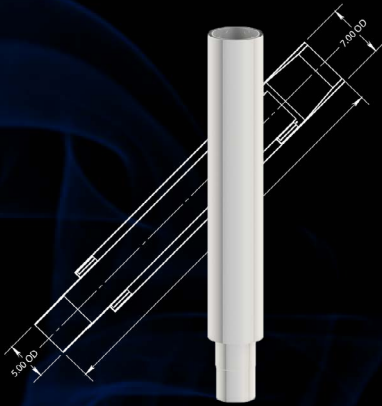


# AIR KOOL Top Stacks

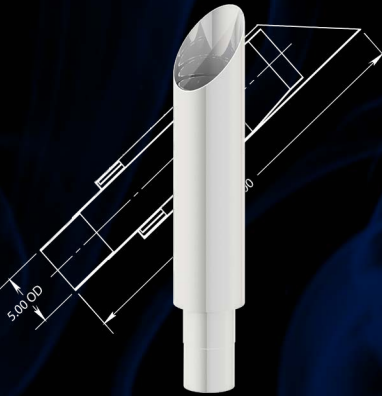
Replaces OEM Diffuser Stack. For more information on Air Kool Top Stacks and for the full line of Dynaflex Products, visit [www.dynaflexproducts.com](http://www.dynaflexproducts.com).



## Straight

Chrome Plated 2007+

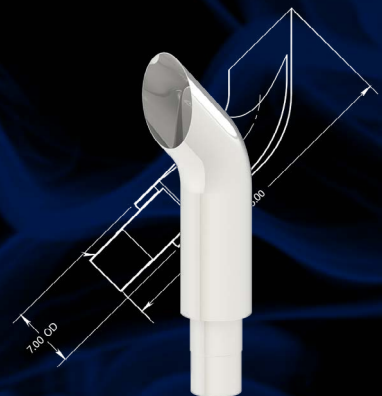
Length	Part Number
36"	24P-AK705036CP
48"	24P-AK705048CP
54"	24P-AK705054CP
60"	24P-AK705060CP



## Mitered

Chrome Plated 2007+

Length	Part Number
36"	24MP-AK705036CP
48"	24MP-AK705048CP
54"	24MP-AK705054CP
60"	24MP-AK705060CP



## Curved

Chrome Plated 2007+

Length	Part Number
36"	25P-AK705036CP
48"	25P-AK705048CP
54"	25P-AK705054CP
60"	25P-AK705060CP

Customer Name: \_\_\_\_\_ Date: \_\_\_\_\_  
 Shipping Address: \_\_\_\_\_  
 City, state, Zip: \_\_\_\_\_ Credit Card: \_\_\_\_\_ / \_\_\_\_\_ / \_\_\_\_\_  
 E-Mail: \_\_\_\_\_ P.O. Numbers: \_\_\_\_\_  
 Telephone ( ) \_\_\_\_\_ Fax: \_\_\_\_\_



# AKK

## AIR KOOL TOP STACKS

Cooled Exhaust



Our competition claims their stacks don't discolor, but discoloration from heat alone isn't the issue. DPF fitted exhaust temperatures are typically 40% higher than a standard system and produce acid and condensation that must come out the tailpipe. At Dynaflex, because we understand modern diesel exhaust technologies, we realized the need for stack systems that would do more than just take high temperatures. The result was the brand new patented Air Kooled Stacks! AK Stacks not only solve the issues associated with added temperatures, but also address heat shield laws and DPF acid output. This unique design reduces backpressure and eliminates heat transfer onto the chrome pipe. Dynaflex innovated the chrome diesel exhaust systems so popular today and we continue to develop systems, that meet the performance requirements of modern exhaust. Stay Kool, Stay Dynaflex

### Features

- Reduced Backpressure
- Improved Flow
- Reduced Surface Temperatures
- Patented Design
- Improved Materials

### Benefits

- Improved Fuel Consumption
- Cost Reduction
- Longer Lasting Chrome
- Easier to Clean, No Chemicals
- No Additional Heat Shields
- Reduced Corrosion